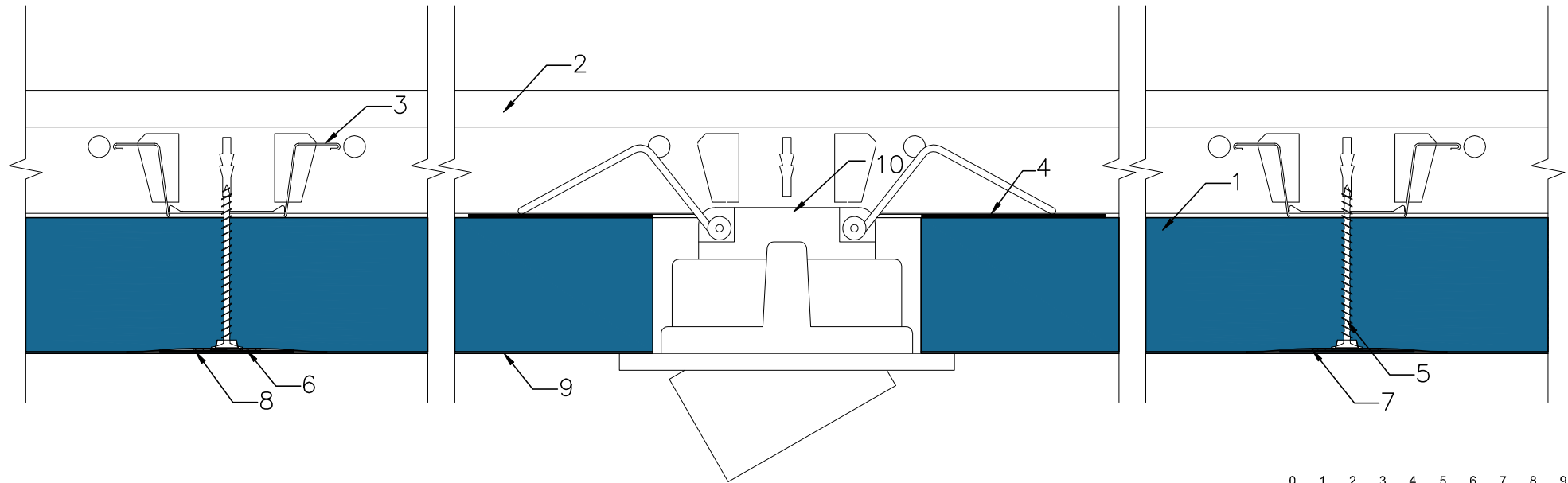


1. Rockfon® Mono® Acoustic panel
2. Monolithic main runner
3. Monolithic furring channel
4. Metal or similar yoke
5. Standard screw
6. Fastening washer
7. Rockfon® Mono® Acoustic Filler
8. Rockfon® Mono® Acoustic Tape
9. Rockfon® Mono® Acoustic Render
10. Spotlight

A-A



All screws and other fastenings shown are indicative and illustrative only.  
Specific fasteners should be chosen dependent on substrates and materials being used.

Information: Rockfon® Mono® Acoustic	Date: 09.11.17	Drawing Type:	
	Drawing name: Spotlight detail	Drawing No.: 8.5.20	Drawn by: Scale: 1: 2
We kindly draw your attention to the fact that the above drawings should be considered as guidelines and therefore are without responsibility on the part of Rockfon.		Contact information:	

