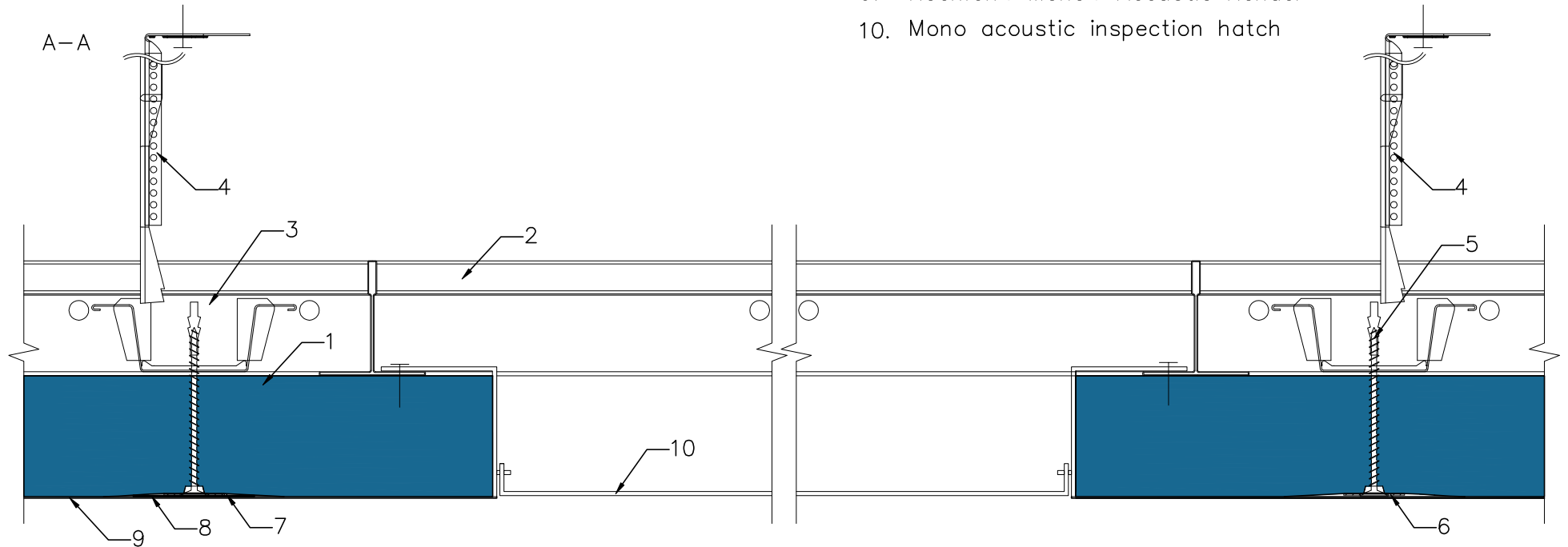


1. ,Rockfon® Mono® Acoustic panel
2. Monolithic main runner
3. Monolithic furring channel
4. Nonius Hanger
5. Standard screw
6. Fastening washer
7. Rockfon® Mono® Acoustic Filler
8. Rockfon® Mono® Acoustic Tape
9. Rockfon® Mono® Acoustic Render
10. Mono acoustic inspection hatch



All screws and other fastenings shown are indicative and illustrative only.
 Specific fasteners should be chosen dependent on substrates and materials being used.



Information: Rockfon® Mono® Acoustic	Date: 09.11.17	Drawing Type:	
	Drawing name: Inspection hatch, ø700 mm	Drawing No.: 8.5.12	Drawn by: Scale: 1: 2
We kindly draw your attention to the fact that the above drawings should be considered as guidelines and therefore are without responsibility on the part of Rockfon.		Contact information:	

