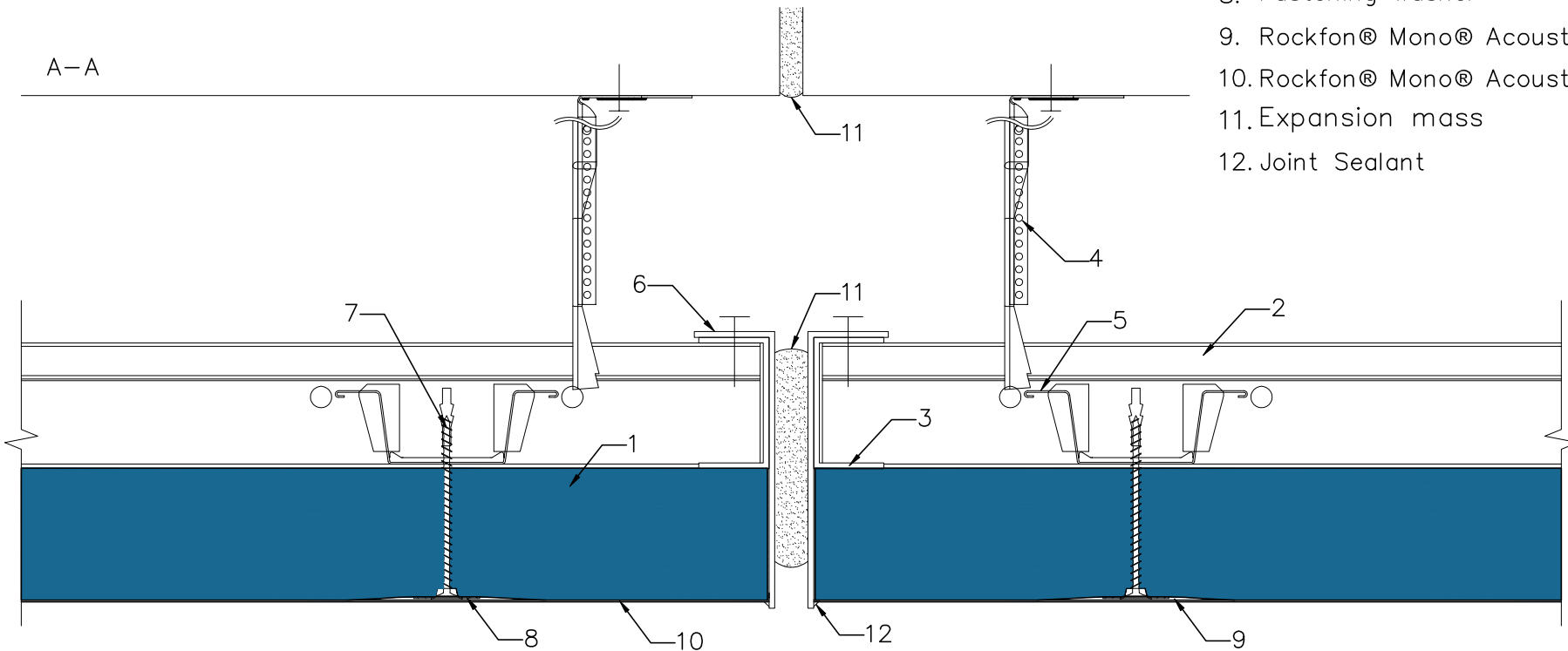


- 1 Rockfon® Mono® Acoustic panel
- 2 Monolithic main runner
- 3 C Wall angle
- 4 Nonius Hanger
- 5 Monolithic furring channel
- 6 L-profile
- 7 Standard screw
- 8 Fastening washer
- 9 Rockfon® Mono® Acoustic Filler
- 10 Rockfon® Mono® Acoustic Render
- 11 Expansion mass
- 12 Joint Sealant



All screws and other fastenings shown are indicative and illustrative only.
Specific fasteners should be chosen dependent on substrates and materials being used.

Information: Rockfon® Mono® Acoustic	Date: 09.11.17	Drawing Type:	
Drawing name: Expansion joints	Drawing No.: 8.3.8	Drawn by:	Scale: 1: 2
We kindly draw your attention to the fact that the above drawings should be considered as guidelines and therefore are without responsibility on the part of Rockfon.		Contact information:	

